

G3 Interface Unit Type 2238
(B604)

G3 Interface Unit Type 2238 (B604)

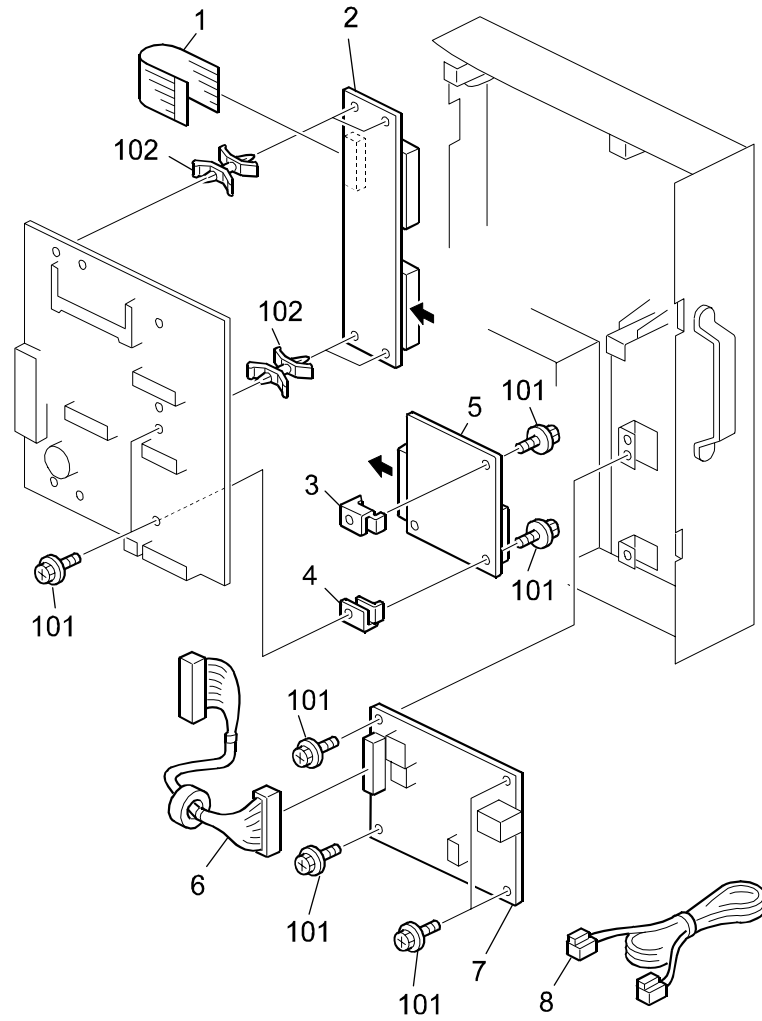
PARTS CATALOG

This catalog gives the numbers and names of parts on this machine.

1.G3 Interface Unit (B604).....	2
PARTS INDEX.....	5

October 30 ' 2003

1.G3 Interface Unit (B604)



1.G3 Interface Unit (B604)

Index No.	Part No.	Description	Q'ty Per Assembly
1	B366 5270	Flat Cable - FCU-CCUIF	1
2	B078 5165	PCB:CCUIF:Ass'y	1
3	B366 5831	Bracket - SIG4 - Left	1
4	B366 5832	Bracket - SIG4 - Right	1
5	H310 6185	SG3-D Board	1
6	B604 5270	Harness - EXNCU	1
6	B604 5271	Harness - EXNCU EU	1
7	5488 6227	PCB NCU-FD-U7	1
7	5488 6297	PCB NCU-FD-EA7T	1
8	H523 5350	Telephone Cable	1

Index No.	Part No.	Description	Q'ty Per Assembly
101	0451 3006B	Tapping Screw - M3x6	
102	1105 0513	Double Locking Spacer	
103	1104 0683	Socket - IMSA-9206H-GF	

Parts Index

Parts Index

Part No.	Description	Page and Index No.
B604 5270	Harness - EXNCU	3 - 6
B604 5271	Harness - EXNCU EU	3 - 6

Part No.	Description	Page and Index No.
B078 5165	PCB:CCUIF:Ass'y	3 - 2
B366 5270	Flat Cable - FCU-CCUIF	3 - 1
B366 5831	Bracket - SIG4 - Left	3 - 3
B366 5832	Bracket - SIG4 - Right	3 - 4
H310 6185	SG3-D Board	3 - 5
H523 5350	Telephone Cable	3 - 8

Part No.	Description	Page and Index No.
0451 3006B	Tapping Screw - M3x6	3 -101
1104 0683	Socket - IMSA-9206H-GF	3 -103
1105 0513	Double Locking Spacer	3 -102

Part No.	Description	Page and Index No.
5488 6227	PCB NCU-FD-U7	3 - 7
5488 6297	PCB NCU-FD-EA7T	3 - 7